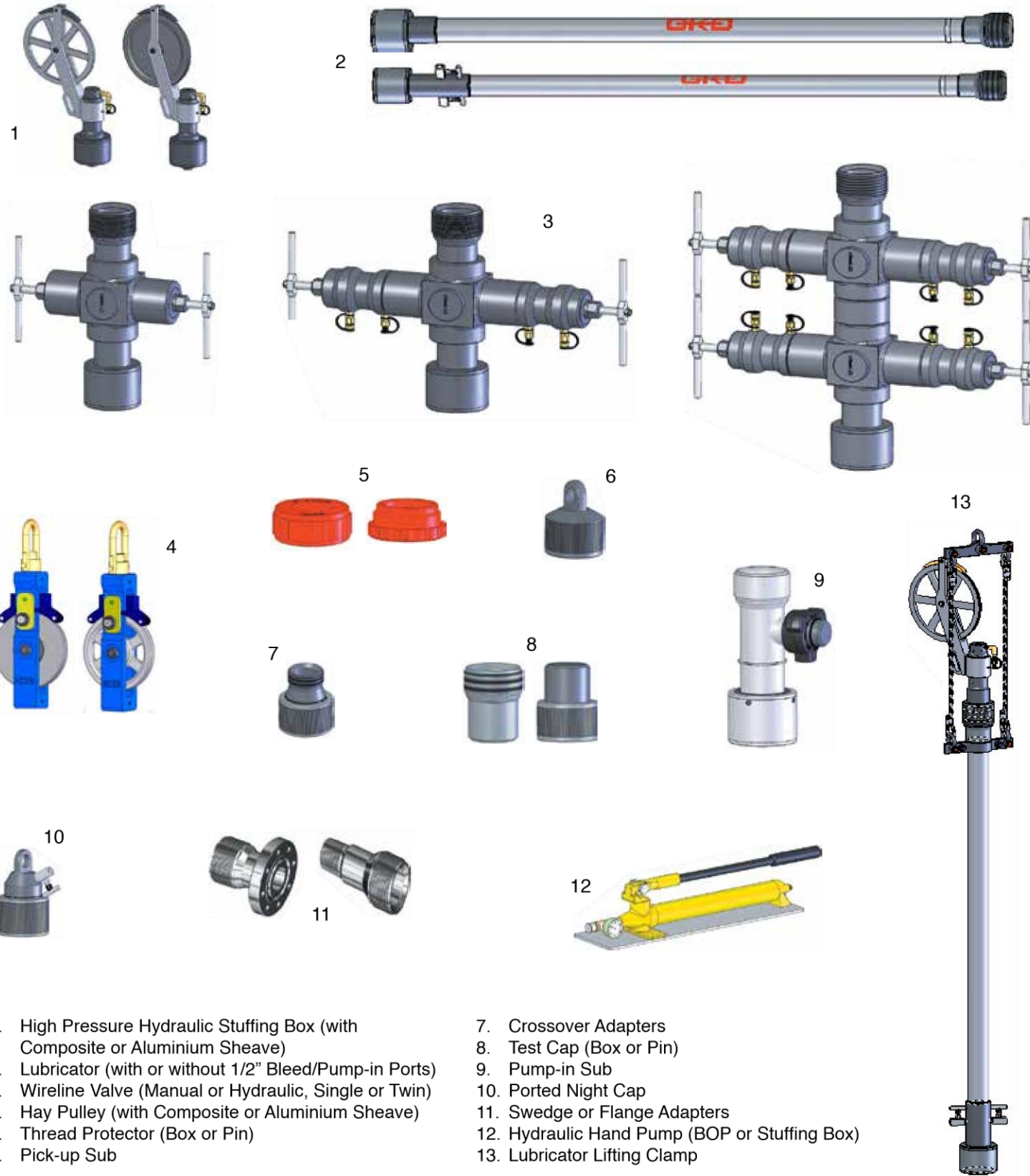


SLICKLINE PRESSURE CONTROL STRING



- 1. High Pressure Hydraulic Stuffing Box (with Composite or Aluminium Sheave)
- 2. Lubricator (with or without 1/2" Bleed/Pump-in Ports)
- 3. Wireline Valve (Manual or Hydraulic, Single or Twin)
- 4. Hay Pulley (with Composite or Aluminium Sheave)
- 5. Thread Protector (Box or Pin)
- 6. Pick-up Sub
- 7. Crossover Adapters
- 8. Test Cap (Box or Pin)
- 9. Pump-in Sub
- 10. Ported Night Cap
- 11. Swedge or Flange Adapters
- 12. Hydraulic Hand Pump (BOP or Stuffing Box)
- 13. Lubricator Lifting Clamp

Rev 09-2020



GKD STUFFING BOX | GKD LUBRICATOR RISERS | GKD WIRELINE VALVES | RELATED PRODUCTS

WIRELINE PRESSURE CONTROL

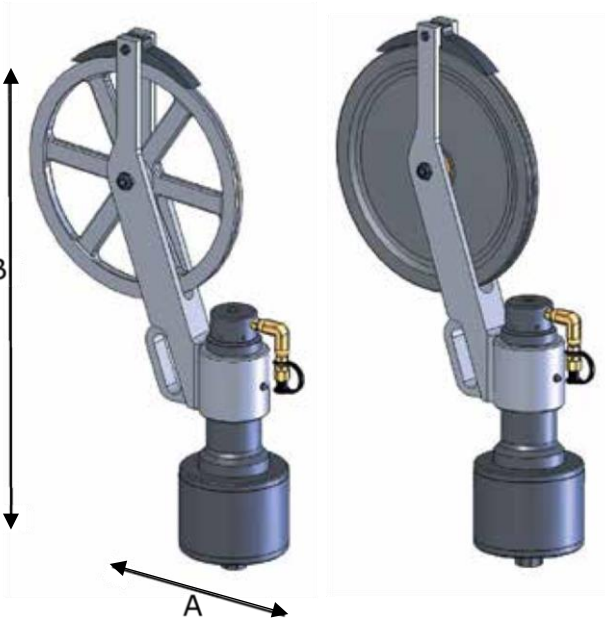




WIRELINE STUFFING BOX AND HAY PULLEY

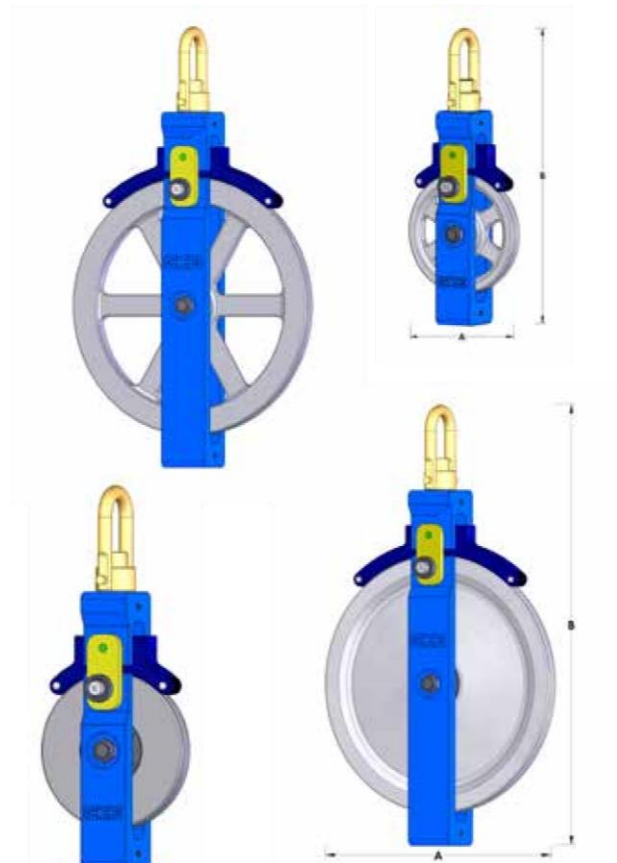
GKD Stuffing Box

- Hydraulic typical, Manual available
- Standard 16" Sheave
- Suitable for 0.092" to 0.125" wire, custom grooves available
- Choice of Heavy Duty Lightweight Aluminium Sheave or Composite Sheave with solid wheel for safety and reduced abrasion for today's expensive lines
- Maximum Line Load 3000lbs
- Quick union standard, (specify union)
- Includes 6 Packings and replaceable Glands and Plunger



GKD Hay Pulley

- 16" or 7" Sheave
- Choice of Heavy Duty Lightweight Aluminium Sheave or Composite Sheave with solid wheel for safety and reduced abrasion for today's expensive lines
- Maximum Hook Load 6000lbs (3000lbs line)
- Heavy Duty 360 degree swivel hook standard, optional hooks available

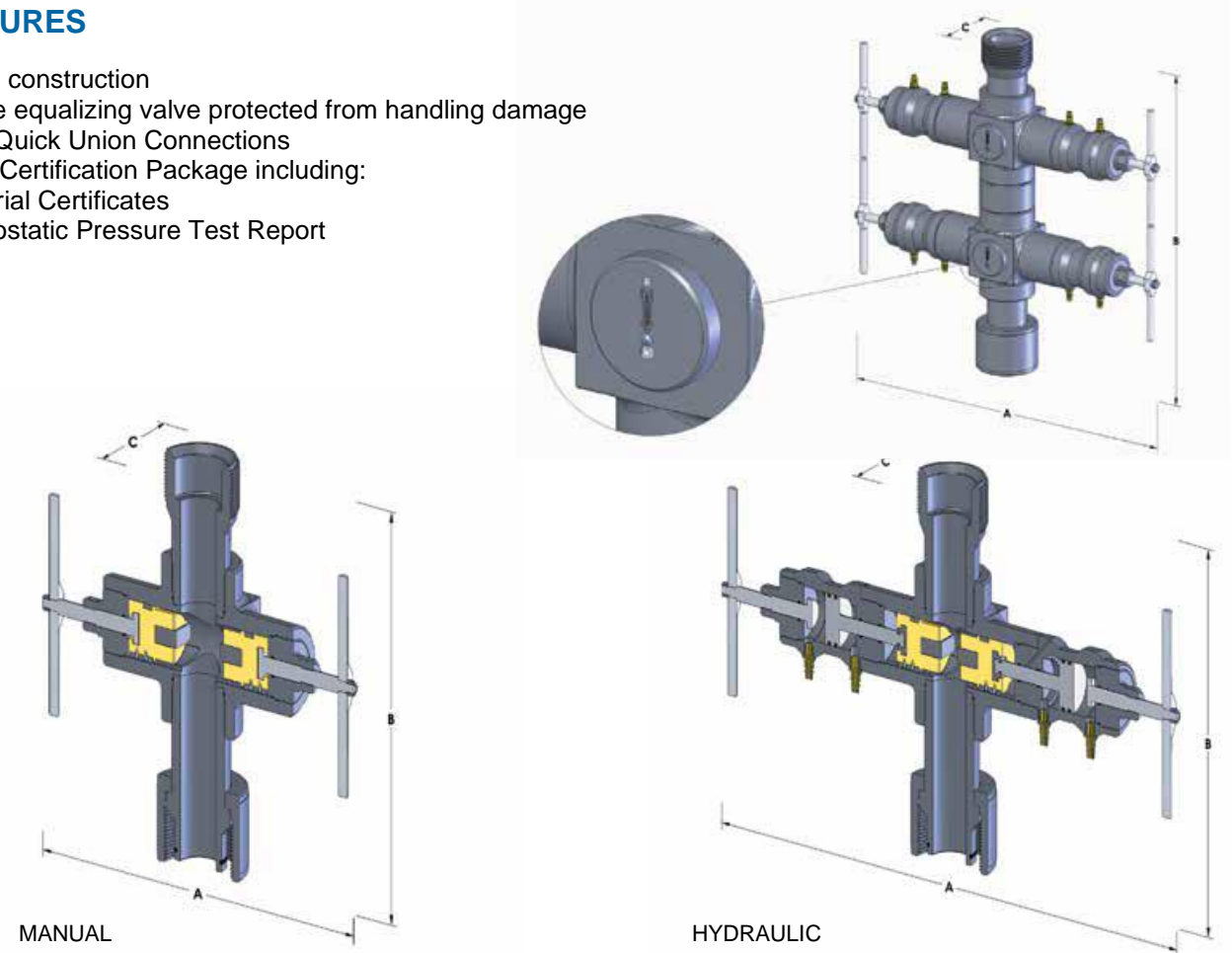


	Hydraulic Stuffing Box w/ 5 3/4" – 4 Acme Union			16" Hay Pulley			7" Hay Pulley		
	Dimension – inch (mm)		Weight lbs (kg)	Dimension – inch (mm)		Weight lbs (kg)	Dimension – inch (mm)		Weight lbs (kg)
	A	B		A	B		A	B	
Aluminium Sheave	20 (508)	35 (889)	90.3 (41)	16 (406)	27.25 (692)	23.5 (10.6)	7 (178)	19 (482)	11.5 (5.2)
Composite Sheave	20 (508)	35 (889)	87.6 (39.7)	16 (406)	27.25 (692)	21 (9.5)	7 (178)	19 (482)	12.2 (5.5)

WIRELINE VALVES

KEY FEATURES

- Solid steel construction
- Low profile equalizing valve protected from handling damage
- Standard Quick Union Connections
- Complete Certification Package including:
 - Material Certificates
 - Hydrostatic Pressure Test Report



SIZE	Manual					Hydraulic				
	Dimension – inch (mm)			Weight lbs (kg)		Dimension – inch (mm)			Weight lbs (kg)	
	A	B	C	5000 psi	10000 psi	A	B	C	5000 psi	10000 psi
2.5" Single	24 (610)	14 (356)	7 (178)	124 (56)	-	-	-	-	-	-
3" Single	26 -1/2 (673)	26 -1/4 (667)	7 (178)	160 (72.5)	217 (98.5)	41 -3/8 (1051)	26 -1/4 (667)	7 (178)	234 (106.1)	291 (132)
3" Twin	26 -1/2 (673)	40 -1/2 (1029)	7 -1/2 (190.5)	250 (113.4)	390 (177)	41 -3/8 (1051)	40 -1/2 (1029)	7 -1/2 (190.5)	375 (170.1)	538 (244)
4" Single	41 (1041.5)	31 -3/4 (806.5)	8 (203)	252 (114.3)	325 (147.4)	63 -3/8 (1610)	31 -3/4 (806.5)	8 (203)	360 (163.3)	450 (204.1)
4" Twin	41 (1041.5)	46 -5/8 (1184)	8 -1/2 (216)	403 (182.8)	475 (215.5)	63 -3/8 (1610)	46 -5/8 (1184)	8 -1/2 (216)	612 (277.6)	765 (347.0)
5" Single	43 -7/8 (1115)	32 -1/8 (816)	9 (229)	357 (161.9)	413 (187.3)	68 -3/8 (1737)	32 -1/8 (816)	9 (229)	510 (231.3)	590 (267.6)
5" Twin	43 -7/8 (1115)	50 -1/2 (1283)	9 -1/2 (241)	606 (274.9)	702 (318.4)	68 -3/8 (1737)	50 -1/2 (1283)	9 -1/2 (241)	867 (393.2)	1003 (454.9)