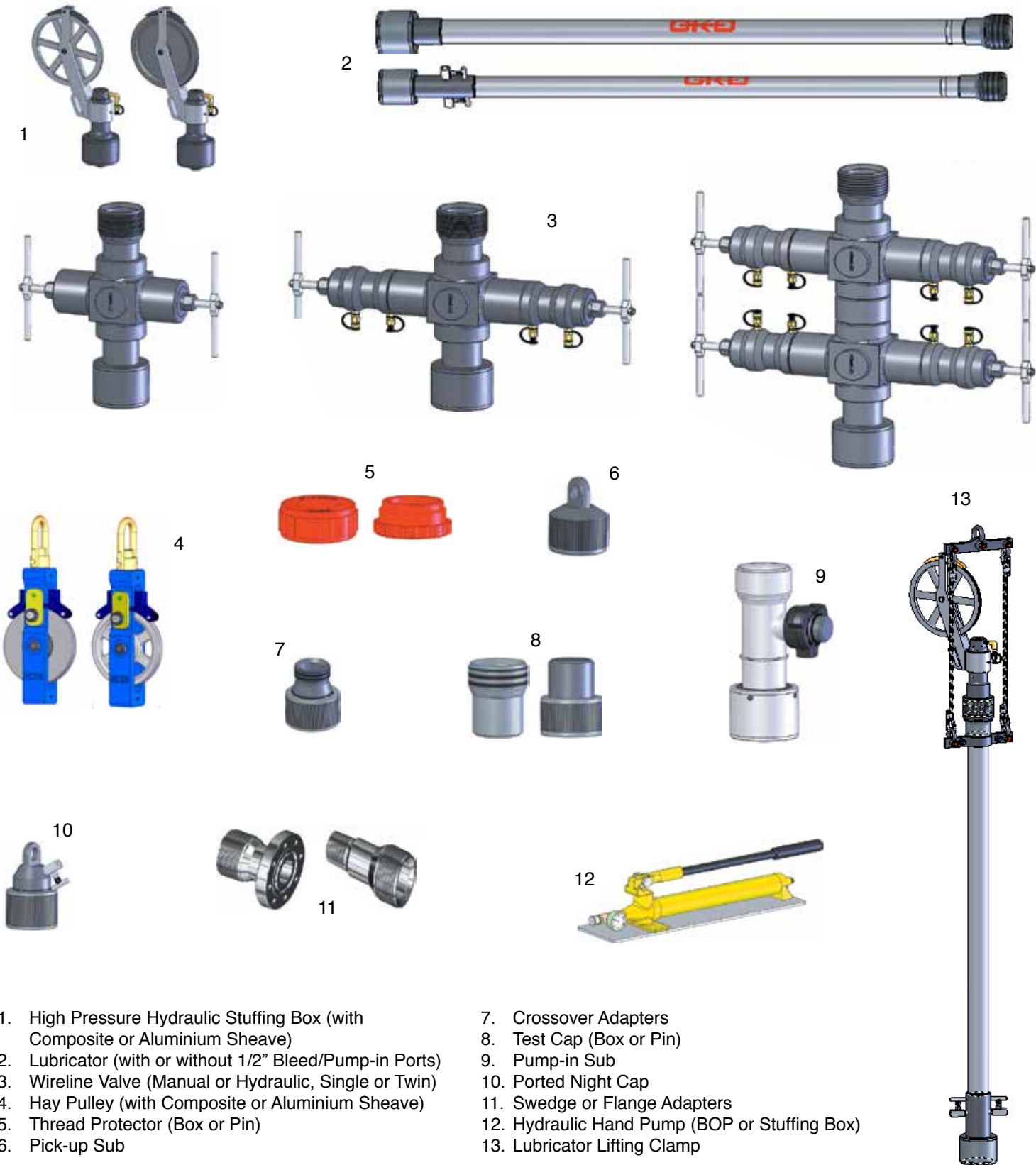


SLICKLINE PRESSURE CONTROL STRING



GKD STUFFING BOX | GKD LUBRICATOR RISERS | GKD WIRELINE VALVES | RELATED PRODUCTS

WIRELINE PRESSURE CONTROL

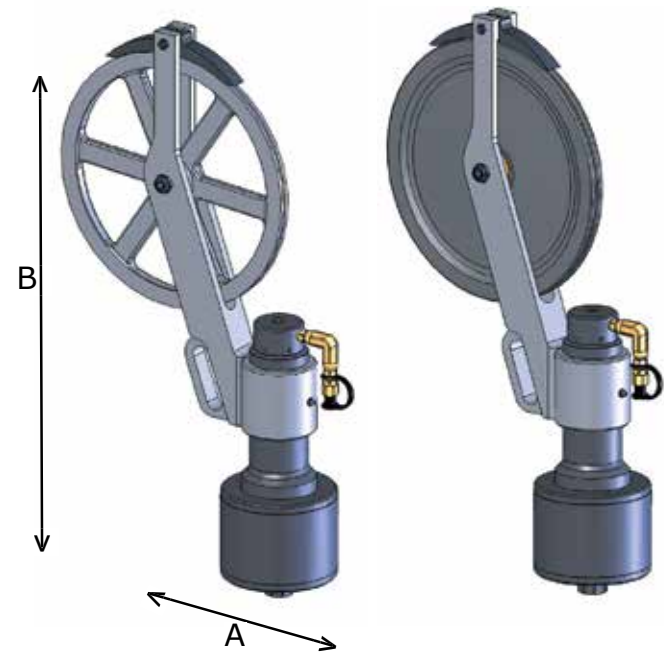




WIRELINE STUFFING BOX AND HAY PULLEY

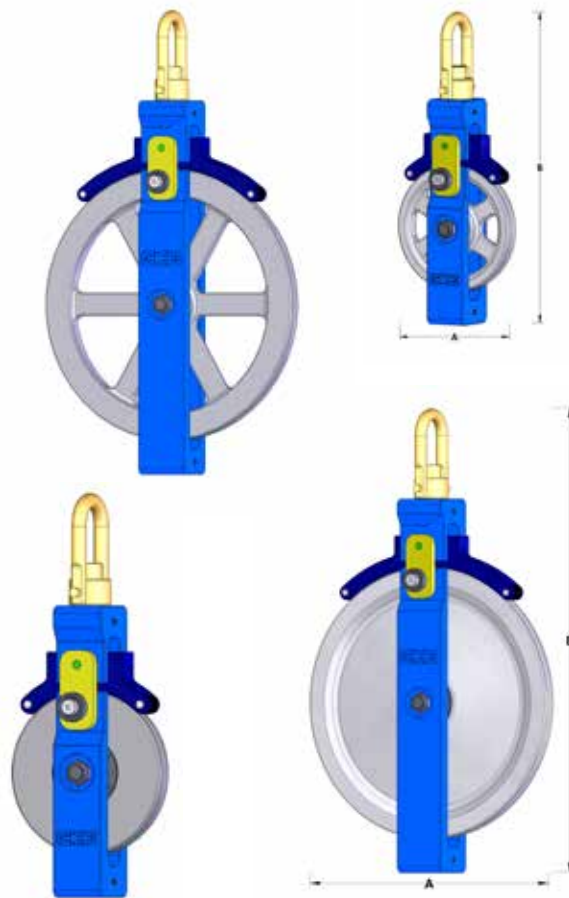
GKD Stuffing Box

- Hydraulic typical, Manual available
- Standard 16" Sheave
- Suitable for 0.066" to 0.125" wire, custom grooves available
- Choice of Heavy Duty Lightweight Aluminium Sheave or Composite Sheave with solid wheel for safety and reduced abrasion for today's expensive lines
- Maximum Working Load 6000lbs (3000lbs line)
- Quick union standard, (specify union)
- Includes 6 Packings and replaceable Glands and Plunger



GKD Hay Pulley

- 16" or 7" Sheave
- Choice of Heavy Duty Lightweight Aluminium Sheave or Composite Sheave with solid wheel for safety and reduced abrasion for today's expensive lines
- Maximum Working Load 6000lbs (3000lbs line)
- Heavy Duty 360 degree swivel hook standard, optional hooks available

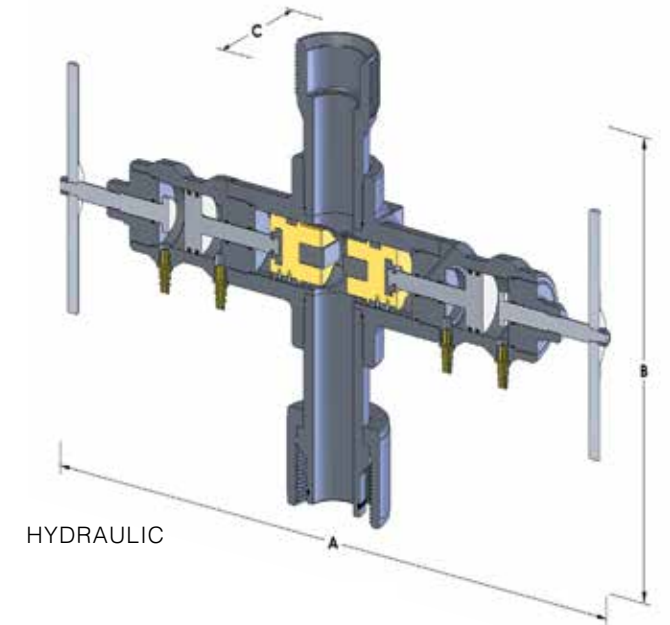
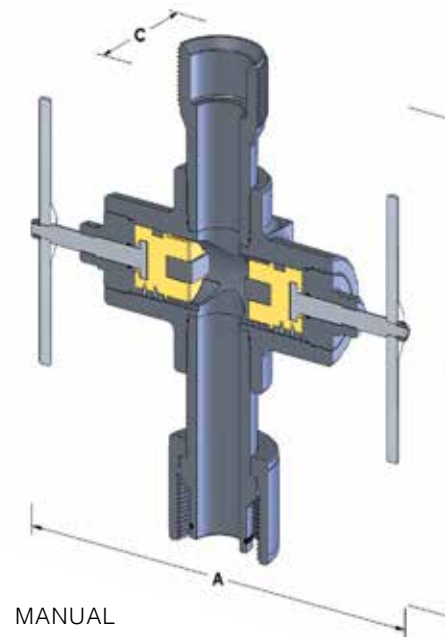
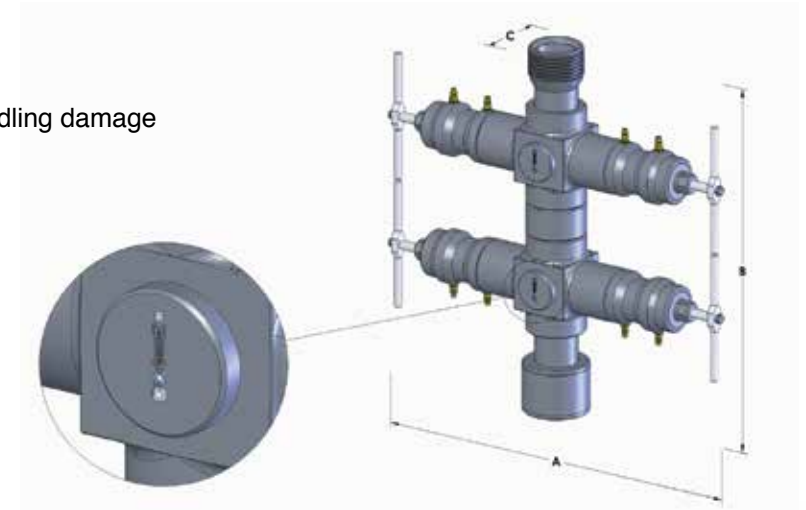


| | Hydraulic Stuffing Box w/ 5 3/4" - 4 Acme Union | | | 16" Hay Pulley | | | 7" Hay Pulley | | |
|------------------|---|----------|-----------------|-----------------------|-------------|-----------------|-----------------------|----------|-----------------|
| | Dimension - inch (mm) | | Weight lbs (kg) | Dimension - inch (mm) | | Weight lbs (kg) | Dimension - inch (mm) | | Weight lbs (kg) |
| | A | B | | A | B | | A | B | |
| Aluminium Sheave | 20 (508) | 35 (889) | 90.3 (41) | 16 (406) | 27.25 (692) | 23.5 (10.6) | 7 (178) | 19 (482) | 11.5 (5.2) |
| Composite Sheave | 20 (508) | 35 (889) | 87.6 (39.7) | 16 (406) | 27.25 (692) | 21 (9.5) | 7 (178) | 19 (482) | 12.2 (5.5) |

WIRELINE VALVES

KEY FEATURES

- Solid steel construction
- Low profile equalizing valve protected from handling damage
- Standard Quick Union Connections
- Complete Certification Package including:
 - Material Certificates
 - Hydrostatic Pressure Test Report



| SIZE | Manual | | | | | Hydraulic | | | | |
|-----------|-----------------------|----------------|---------------|-----------------|-------------|-----------------------|----------------|---------------|-----------------|--------------|
| | Dimension - inch (mm) | | | Weight lbs (kg) | | Dimension - inch (mm) | | | Weight lbs (kg) | |
| | A | B | C | 5000 psi | 10000 psi | A | B | C | 5000 psi | 10000 psi |
| 3" Single | 26 -1/2 (673) | 26-1/4 (667) | 7 (178) | 160 (72.5) | 217 (98.5) | 41-3/8 (1051) | 26-1/4 (667) | 7 (178) | 234 (106.1) | 291 (132) |
| 3" Twin | 26 -1/2 (673) | 40-1/2 (1029) | 7-1/2 (190.5) | 250 (113.4) | 390 (177) | 41-3/8 (1051) | 40-1/2 (1029) | 7-1/2 (190.5) | 375 (170.1) | 538 (244) |
| 4" Single | 41 (1041.5) | 31-3/4 (806.5) | 8 (203) | 252 (114.3) | 325 (147.4) | 63-3/8 (1610) | 31-3/4 (806.5) | 8 (203) | 360 (163.3) | 450 (204.1) |
| 4" Twin | 41 (1041.5) | 46-5/8 (1184) | 8-1/2 (216) | 403 (182.8) | 475 (215.5) | 63-3/8 (1610) | 46-5/8 (1184) | 8-1/2 (216) | 612 (277.6) | 765 (347.0) |
| 5" Single | 43-7/8 (1115) | 32-1/8 (816) | 9 (229) | 357 (161.9) | 413 (187.3) | 68-3/8 (1737) | 32-1/8 (816) | 9 (229) | 510 (231.3) | 590 (267.6) |
| 5" Twin | 43-7/8 (1115) | 50-1/2 (1283) | 9-1/2 (241) | 606 (274.9) | 702 (318.4) | 68-3/8 (1737) | 50-1/2 (1283) | 9-1/2 (241) | 867 (393.2) | 1003 (454.9) |

Dimensions and weights based on largest Quick Unions