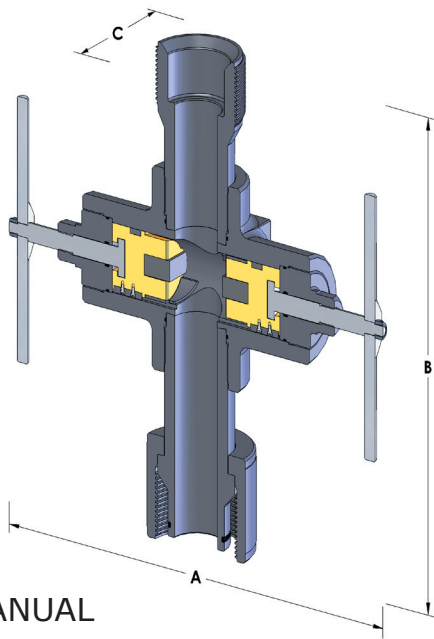
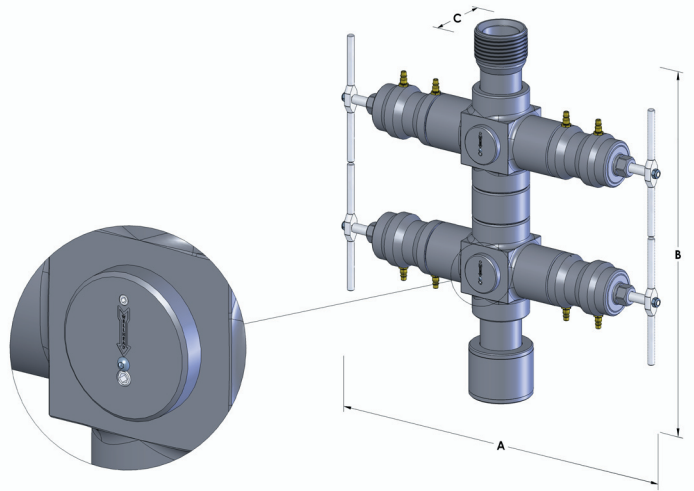


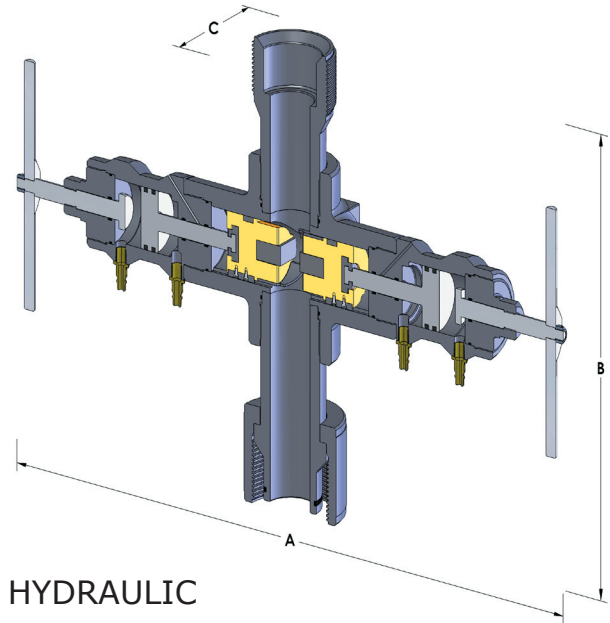
WIRELINE BLOWOUT PREVENTERS

KEY FEATURES

- Solid steel construction
- Low profile equalizing valve protected from handling damage
- Standard Quick Union Connections
- Complete Certification Package including:
 - Material Certificates
 - Hydrostatic Pressure Test Report



MANUAL



HYDRAULIC

SIZE	MANUAL					HYDRAULIC				
	Dimensions - inch (mm)			Weight Lbs (Kg)		Dimensions - inch (mm)			Weight Lbs (Kg)	
	A	B	C	5000 psi	10 000 psi	A	B	C	5000 psi	10 000 psi
3" Single	26-1/2 (673)	26-1/4 (667)	7 (178)	160 (72.5)	217 (98.5)	41-3/8 (1051)	26-1/4 (667)	7 (178)	234 (106.1)	291 (132)
3" Twin	26-1/2 (673)	40-1/2(1029)	7-1/2 (190.5)	250 (113.4)	390 (177)	41-3/8 (1051)	40-1/2 (1029)	7-1/2 (190.5)	375 (170.1)	538 (244)
4" Single	41 (1041.5)	31-3/4(806.5)	8 (203)	252 (114.3)	325 (147.4)	63-3/8 (1610)	31-3/4 (806.5)	8 (203)	360 (163.3)	450 (204.1)
4" Twin	41 (1041.5)	46-5/8(1184)	8-1/2 (216)	403 (182.8)	475 (215.5)	63-3/8 (1610)	46-5/8 (1184)	8-1/2 (216)	612 (277.6)	765 (347.0)
5" Single	43-7/8(1115)	32-1/8 (816)	9 (229)	357 (161.9)	413 (187.3)	68-3/8 (1737)	32-1/8 (816)	9 (229)	510 (231.3)	590 (267.6)
5" Twin	43-7/8(1115)	50-1/2(1283)	9-1/2 (241)	606 (274.9)	702 (318.4)	68-3/8 (1737)	50-1/2 (1283)	9-1/2 (241)	867 (393.2)	1003 (454.9)

Dimensions and weights based on largest Quick Unions